



Wet System Valves | Alarm Check Valves | FAV-1

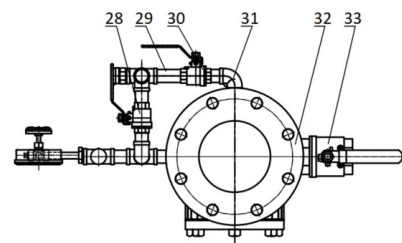
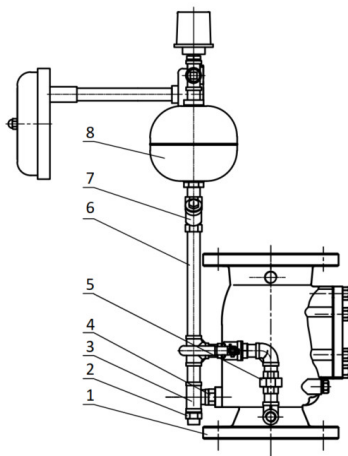
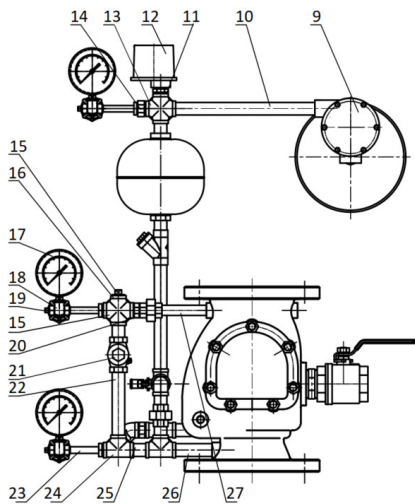


SPECIFICATIONS	
Sizes	2"/DN50, 2½"/DN65, 3"/DN80, 4"/DN100, 5"/DN125, 6"/DN150, 8"/DN200, 10"/DN250, 12"/DN300
Working Pressure	300psi / 20.7bar
Temperature Range	4°C to 70°C (39°F to 158°F)
Connection (Model)	Flange x Flange (FAV-1-FF) Flange x Groove (FAV-1-FG) Groove x Groove (FAV-1-GG)
Flange Standards	ANSI 125 / 150, PN16, GB/T9113.1
Groove Standard	AWWA C606, ISO 6182-12
Valve Body	Ductile Iron
Finish	Epoxy Powder Coated (Interior & Exterior)
Approvals	UL, FM

Product Parts, Materials & Standard

No	Description	Material Standard	Qty
1	Alarm Check Valve	-	1
2	Orifice	C954 / SS304	1
3	Tee	Steel / SS304	2
4	Nipple	Steel / SS304	6
5	Union	Steel / SS304	1
6	Nipple	Steel / SS304	1
7	Y Strainer	C954 / SS304	1
8	Retard Chamber	Steel	1
9	Water Gong Assembly	-	1
10	Nipple	Steel / SS304	1
11	Reducer Bushing	Steel / SS304	1
12	Pressure Switch	-	1
13	Cross	Steel / SS304	1
14	Reducer Bushing	Steel / SS304	1
15	Plug	Steel / C954 / SS304	1
16	Cross	Steel / SS304	2
17	Pressure Gauge	-	3

No	Description	Material Standard	Qty
18	3-way Valve	C954 / SS304	3
19	Plug	Steel / C954 / SS304	3
20	Orifice	C954 / SS304	1
21	Check Valve	C954 / SS304	1
22	Nipple	Steel / SS304	1
23	Nipple	Steel / SS304	3
24	Tee	Steel / SS304	2
25	Nipple	Steel / SS304	4
26	Nipple	Steel / SS304	1
27	Nipple	Steel / SS304	1
28	Ball Valve	C954 / SS304	1
29	Nipple	Steel / SS304	1
30	Ball Valve	C954 / SS304	1
31	Elbow	Steel / SS304	2
32	Nipple	Steel / SS304	1
33	Ball Valve	C954 / SS304	1



Note: This document contains basic product information only. For more information, contact your local VIKING Sales Representative. Certificates, test reports and approvals may be published in the OEM name. The contents of this publication are subject to change without prior notice. All rights reserved. Images are purely for illustration only. Fireking™ is a trademark of The Viking Corporation.

Trusted above all.

The Viking Corporation (far East) Pte. Ltd. | 69 Tuas View Square, Westlink Techpark, Singapore 637621 | vikingapac@vikingcorp.com





Wet System Valves | Alarm Check Valves | FAV-1

Part Numbers

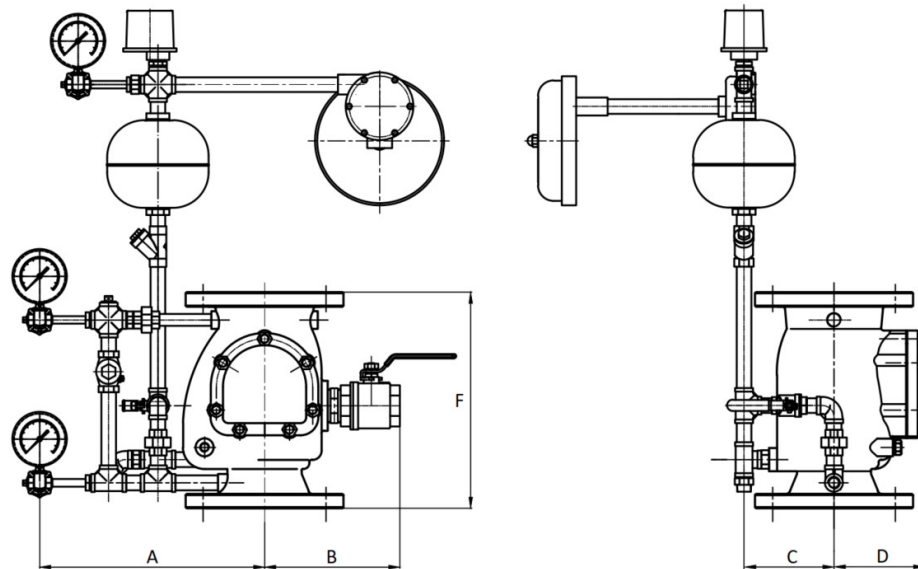
Size		Part Numbers						
DN	Inch	Flange x Flange *(ANSI 125/150)	Flange x Flange **(PN16)	Groove x Groove	***Trim	Retard Chamber	Pressure Switch	Water Gong
DN50	2"	FAV50FF	FAV50FFPN16	FAV050GG-060	FTRIM050	FRC	PSW-A	WMA-F
DN65	2½"	FAV65FF	FAV65FFPN16	FAV050GG-073	FTRIM065			
DN65	2½"			FAV065GG-076				
DN80	3"	FAV80FF	FAV80FFPN16	FAV080GG-089	FTRIM080			
DN100	4"	FAV100FF	FAV100FFPN16	FAV100GG-114	FTRIM100			
DN150	6"	FAV150FF		FAV150GG-165	FTRIM150			
				FAV150GG-168				
DN200	8"	FAV200FF	FAV200FFPN16	FAV200GG-219	FTRIM200			
DN250	10"	FAV250FF	FAV250FFPN16	FAV250GG-273	FTRIM250			
DN300	12"	FAV300FF	FAV300FFPN16	FAV300GG-324	FTRIM300			

* Drilled to ANSI 125/ 150 Specifications

*** Includes 2 x Viking Pressure Gauges (VWATERSF)

** Drilled to PN16

Dimensions (mm)



Size		Dimensions (mm)								
DN	Inch	Flange x Flange (ANSI 125/150)	Flange x Flange (PN16)	F	Groove x Groove	F	A	B	C	D
DN50	2"	FAV50FF	FAV50FFPN16	233	FAV50GG60MM	245	340	205	145	110
DN65	2½"	FAV65FF	FAV65FFPN16	236	FAV65GG73MM	245	340	205	145	110
					FAV65GG76MM		340	205	145	110
DN80	3"	FAV80FF	FAV80FFPN16	245	FAV80GG89MM	245	340	205	145	110
DN100	4"	FAV100FF	FAV100FFPN16	316	FAV100GG114MM	316	342	250	160	136
DN150	6"	FAV150FF		390	FAV150GG165MM	390	349	274	180	162
					FAV150GG168MM		349	274	180	162
DN200	8"	FAV200FF	FAV200FFPN16	438	FAV200GG219MM	438	415	290	205	195
DN250	10"	FAV250FF	FAV250FFPN16	535	FAV250GG273MM	535	475	340	240	235
DN300	12"	FAV300FF	FAV300FFPN16	622	FAV300GG324MM	622	495	368	270	270

Note: This document contains basic product information only. For more information, contact your local VIKING Sales Representative. Certificates, test reports and approvals may be published in the OEM name. The contents of this publication are subject to change without prior notice. All rights reserved. Images are purely for illustration only. Fireking™ is a trademark of The Viking Corporation.

Trusted above all.

The Viking Corporation (far East) Pte. Ltd. | 69 Tuas View Square, Westlink Techpark, Singapore 637621 | vikingapac@vikingcorp.com

