



UNIVERSAL STRUCTURAL BRACKET, EG, 9/16" HOLE

CATALOG NUMBER

CSBU1N



CERTIFICATIONS



FEATURES

Universal design allows one product to attach directly to concrete, wood, bar joist or I-beam adapters

Integrated angle gauge easily displays brace member angle of installation

Snap-off bolt head helps enable easy installation and inspection of seismic sway braces

Works with 1" through 2" brace pipes to reduce inventory

Low profile minimizes prying effect on concrete fasteners

Meets NFPA® 13 as pre-qualified for seismic applications

FM® Specification Tested

FM Approved with 12 gauge or thicker Type A solid strut as brace member

PRODUCT ATTRIBUTES

Material: Steel

Finish: Electrogalvanized

Hole Size (HS): 14.3 mm

Width (W): 49 mm

Thickness (T): 5 mm

A: 52 mm

B: 33 mm

C: 35 mm

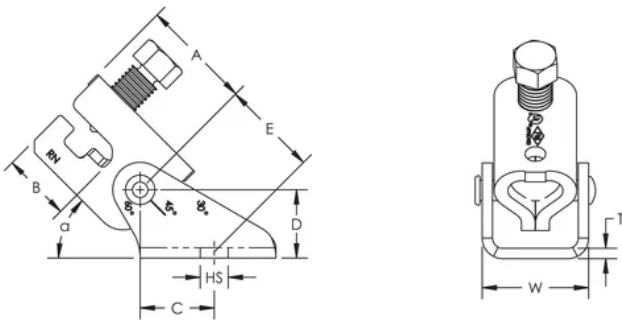
D: 32 mm

E: 44 mm

UL Listed Load: 8896N

Part Number	Horizontal Capacity per Installation Angle from Vertical			
	30°- 44°	45°- 59°	60°- 74°	75°- 90°
CSBU1xxN	7510 N	9830 N	11830 N	13740 N
CSBU2xxN	6580 N	10180 N	12720 N	13740 N
CSBU58xxN	6580 N	9830 N	11830 N	13740 N

DIAGRAMS



WARNING

nVent products shall be installed and used only as indicated in nVent's product instruction sheets and training materials. Instruction sheets are available at www.nvent.com and from your nVent customer service representative. Improper installation, misuse, misapplication or other failure to completely follow nVent's instructions and warnings may cause product malfunction, property damage, serious bodily injury and death and/or void your warranty.

North America

+1.800.753.9221

Option 1 – Customer Care

Option 2 – Technical Support

Europe

Netherlands:

+31 800-0200135

France:

+33 800 901 793

Europe

Germany:

800 1890272

Other Countries:

+31 13 5835404

APAC

Shanghai:

+ 86 21 2412 1618/19

Sydney:

+61 2 9751 8500



Our powerful portfolio of brands:
nVent.com CADDY ERICO HOFFMAN RAYCHEM SCHROFF
TRACER