

Universal Sway Brace



The nVent CADDY Universal Sway Brace is an innovative, versatile solution providing seismic bracing for suspended pipes. Featuring a unique slotted hole pattern for easy slip-on installation, installers can eliminate the risk and inconvenience of loose hardware, making it an ideal choice for ensuring safety and compliance on the job.

CERTIFICATIONS



FEATURES

Used for both lateral and longitudinal sway brace applications

Snap-off bolt head helps enable easy installation and inspection

Works with 1" to 2" (25,4mm to 50,8mm) brace pipes to reduce inventory

Works with 12 gauge or thicker Type A solid strut as brace member

Meets NFPA®-13 and CEN/TS 1755:2021 requirements for seismic sway bracing

FM Approved with the following brace members: Type A Solid Strut (12 gauge or thicker) and 1-2 in Sch40/EN 10255H Pipe

FM Specification Tested with the following brace members: Type A Solid Strut (12 gauge or thicker) and 1-2 in Sch40/EN 10255H Pipe

SPECIFICATIONS

Finish: Electrogalvanized

Material: Steel

Table 1/2

Catalog Number	Pipe Size, Nominal (Ø)	Cast Iron	Brace Pipe Size	Width (W)	A	B
----------------	------------------------	-----------	-----------------	-----------	---	---

CSB0100	1"		1" - 2"	1 1/2"	3 9/16"	1 5/16"
CSB0125	1 1/4"		1" - 2"	1 1/2"	3 9/16"	1 5/16"
CSB0400	4"	4"	1" - 2"	1 1/2"	3 9/16"	1 5/16"
CSB0150	1 1/2"	1 1/2"	1" - 2"	1 1/2"	3 9/16"	1 5/16"
CSB0200	2"	2"	1" - 2"	1 1/2"	3 9/16"	1 5/16"
CSB0250	2 1/2"	2 1/2"	1" - 2"	1 1/2"	3 9/16"	1 5/16"
CSB0300	3"	3"	1" - 2"	1 1/2"	3 9/16"	1 5/16"
CSB0500	5"		1" - 2"	1 1/2"	3 9/16"	1 5/16"
CSB1000	10"	10"	1" - 2"	1 1/2"	3 9/16"	1 5/16"
CSB1200	12"	12"	1" - 2"	1 1/2"	3 9/16"	1 5/16"
CSB0600C		6"	1" - 2"	1 1/2"	3 9/16"	1 5/16"
CSB0600	6"		1" - 2"	1 1/2"	3 9/16"	1 5/16"
CSB0800	8"	8"	1" - 2"	1 1/2"	3 9/16"	1 5/16"
CSB0500C		5"	1" - 2"	1 1/2"	3 9/16"	1 5/16"

Table 2/2

Catalog Number	C	D	Certifications
CSB0100	5/8"	5"	UL, OSHPD/HCAI, FM Approved, Seismic, cUL
CSB0125	11/16"	5 1/2"	cUL, UL, OSHPD/HCAI, FM Approved, Seismic
CSB0400	11/16"	8 1/2"	cUL, UL, OSHPD/HCAI, FM Approved, Seismic
CSB0150	3/4"	5 3/8"	OSHPD, FM Approved, Seismic, cUL, UL

Catalog Number	C	D	Certifications
CSB0200	13/16"	6"	OSHDPD/HCAI, FM Approved, Seismic, cUL, UL
CSB0250	15/16"	6 3/4"	OSHDPD/HCAI, FM Approved, Seismic, cUL, UL
CSB0300	1"	7 3/8"	UL, OSHDPD/HCAI, FM Approved, Seismic, cUL
CSB0500	1"	10 5/8"	OSHDPD, FM Approved, Seismic, cUL, UL
CSB1000	1"	15 3/16"	UL, OSHDPD/HCAI, FM Approved, Seismic, cUL
CSB1200	1"	16 7/8"	OSHDPD/HCAI, FM Approved, Seismic
CSB0600C	1"	10 5/8"	
CSB0600	1 1/8"	10 7/8"	OSHDPD/HCAI, FM Approved, Seismic, cUL, UL
CSB0800	1 1/4"	13"	OSHDPD/HCAI, FM Approved, Seismic, cUL, UL
CSB0500C	11 11/16"	8 1/2"	

ADDITIONAL PRODUCT DETAILS

FM® Specification Tested for 1-1/2 in to 4 in pipe sizes using no hub cast iron pipe.

Load ratings for Sch 10 may also be applied to AS 1074 Medium, GB/T 3091, EN 10255 (Medium or Heavy), and JIS G3452 pipe.

Load ratings for Sch 40 may also be applied to AS 1074 Heavy, GB/T 3091, EN 10255 (Heavy), and JIS G3454 pipe.

Load ratings for FM approved lightwall may also be applied to AS 1074 Lightwall, EN 10255 L, EN 10220, and GB/T 8163 pipe.

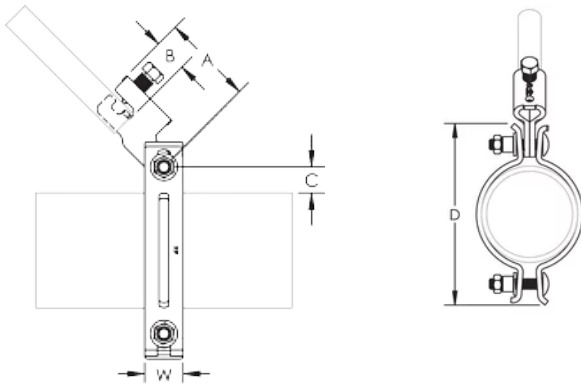
FM Approved with 12 gauge or thicker Type A solid strut as brace member

UL Loads								
Part Number	Lateral				Longitudinal			
	Sch 10/Sch 40 Service Pipe	Bull Moose Eddy Flow Service Pipe	Wheatland Mega-Flow Service Pipe	Youngstown Fire-Flo Service Pipe	Sch 10/Sch 40 Service Pipe	Bull Moose Eddy Flow Service Pipe	Wheatland Mega-Flow Service Pipe	Youngstown Fire-Flo Service Pipe
CSB0100xxx	1800 lb	N/A	N/A	N/A	1000 lb	N/A	N/A	N/A
CSB0125xxx	1800 lb	1800 lb	1800 lb	N/A	680 lb	680 lb	680 lb	N/A
CSB0150xxx	1800 lb	1800 lb	1800 lb	1800 lb	1000 lb	1000 lb	1000 lb	1000 lb
CSB0200xxx	1800 lb	1800 lb	1800 lb	1800 lb	1300 lb	1300 lb	1300 lb	1300 lb
CSB0250xxx	1800 lb	1800 lb	1800 lb	1800 lb	1300 lb	1300 lb	1300 lb	1300 lb
CSB0300xxx	1800 lb	1800 lb	1800 lb	1800 lb	1400 lb	1400 lb	1400 lb	1400 lb
CSB0400xxx	1800 lb	1800 lb	1800 lb	1800 lb	1700 lb	1700 lb	1700 lb	1700 lb
CSB0500xxx	1800 lb	N/A	N/A	N/A	1700 lb	N/A	N/A	N/A
CSB0600xxx	1800 lb	N/A	1800 lb	N/A	1700 lb	N/A	1700 lb	N/A
CSB0800xxx	1800 lb	N/A	N/A	N/A	1700 lb	N/A	N/A	N/A
CSB1000xxx	1900 lb	N/A	N/A	N/A	1900 lb	N/A	N/A	N/A
CSB1200xxx	N/A	N/A	N/A	N/A	N/A	N/A	N/A	N/A

FM Loads								
Part Number	Horizontal Capacity per Installation Angle from Vertical							
	Lateral				Longitudinal			
	30° - 44°	45° - 59°	60° - 74°	75° - 90°	30° - 44°	45° - 59°	60° - 74°	75° - 90°
FM Approved Lightwall, Sch 10 and Sch 40 Service Pipes								
CSB0100xxx	1,490 lb	2,110 lb	2,580 lb	2,900 lb	1,290 lb	1,240 lb	1,260 lb	1,400 lb
CSB0125xxx	1,380 lb	1,960 lb	2,400 lb	2,690 lb	1,290 lb	1,240 lb	1,260 lb	1,400 lb
CSB0150xxx	1,380 lb	1,960 lb	2,400 lb	2,690 lb	1,200 lb	1,860 lb	2,180 lb	2,250 lb
CSB0200xxx	1,380 lb	1,960 lb	2,400 lb	2,690 lb	1,200 lb	1,820 lb	2,180 lb	2,250 lb
CSB0250xxx	1,440 lb	2,030 lb	2,490 lb	2,790 lb	1,320 lb	1,820 lb	2,190 lb	2,500 lb
CSB0300xxx	1,390 lb	1,970 lb	2,420 lb	2,710 lb	1,300 lb	1,790 lb	2,190 lb	2,500 lb
CSB0400xxx	1,390 lb	1,970 lb	2,420 lb	2,710 lb	1,300 lb	1,790 lb	2,190 lb	2,500 lb
CSB0500xxx	1,390 lb	1,970 lb	2,420 lb	2,710 lb	1,300 lb	1,790 lb	2,190 lb	2,500 lb
CSB0600xxx	1,460 lb	2,060 lb	2,520 lb	2,830 lb	1,410 lb	1,950 lb	2,350 lb	2,680 lb
0.188" Wall and Sch 40 Service Pipes								
CSB0800xxx	1,330 lb	1,880 lb	2,300 lb	2,580 lb	1,400 lb	1,920 lb	2,350 lb	2,640 lb
CSB1000xxx	1,330 lb	1,880 lb	2,300 lb	2,580 lb	1,400 lb	1,920 lb	2,350 lb	2,640 lb
CSB1200xxx	1,680 lb	2,370 lb	2,910 lb	3,260 lb	1,600 lb	1,860 lb	2,240 lb	2,590 lb

FM Loads with 12 Gauge or Thicker Type A Strut as Brace Member								
Part Number	Horizontal Capacity per Installation Angle from Vertical							
	Lateral				Longitudinal			
	30° - 44°	45° - 59°	60° - 74°	75° - 90°	30° - 44°	45° - 59°	60° - 74°	75° - 90°
FM Approved Lightwall, Sch 10 and Sch 40 Service Pipes								
CSB0100xxx	1040 lb	1470 lb	1800 lb	2010 lb	660 lb	580 lb	640 lb	-
CSB0125xxx	1040 lb	1470 lb	1800 lb	2010 lb	660 lb	580 lb	640 lb	-
CSB0150xxx	1580 lb	2240 lb	2740 lb	3070 lb	1320 lb	1340 lb	1620 lb	-
CSB0200xxx	1580 lb	2240 lb	2740 lb	3070 lb	890 lb	1220 lb	1830 lb	-
CSB0250xxx	1620 lb	2300 lb	2820 lb	3160 lb	890 lb	1220 lb	1830 lb	-
CSB0300xxx	1520 lb	2160 lb	2640 lb	2960 lb	890 lb	1220 lb	1830 lb	-
CSB0400xxx	1520 lb	2160 lb	2640 lb	2960 lb	1340 lb	1850 lb	2350 lb	-
CSB0500xxx	1520 lb	2160 lb	2640 lb	2960 lb	1340 lb	1850 lb	2350 lb	-
CSB0600xxx	1570 lb	2220 lb	2720 lb	3050 lb	1540 lb	1850 lb	2230 lb	-
0.188" Wall and Sch 40 Service Pipes								
CSB0800xxx	1570 lb	2220 lb	2720 lb	3050 lb	1270 lb	1750 lb	2160 lb	-
CSB1000xxx	1410 lb	2000 lb	2450 lb	2740 lb	1270 lb	1750 lb	2160 lb	-
CSB1200xxx	1460 lb	2070 lb	2530 lb	2840 lb	1390 lb	1750 lb	2110 lb	-

DIAGRAMS



WARNING

nVent products shall be installed and used only as indicated in nVent's product instruction sheets and training materials. Instruction sheets are available at www.nvent.com and from your nVent customer service representative. Improper installation, misuse, misapplication or other failure to completely follow nVent's instructions and warnings may cause product malfunction, property damage, serious bodily injury and death and/or void your warranty.

North America

+1.800.753.9221

Option 1 – Customer Care

Option 2 – Technical

Support

Europe

Netherlands:

+31 800-0200135

France:

+33 800 901 793

Europe

Germany:

800 1890272

Other Countries:

+31 13 5835404

APAC

Shanghai:

+ 86 21 2412 1618/19

Sydney:

+61 2 9751 8500



Our powerful portfolio of brands:

CADDY ERICO HOFFMAN ILSCO SCHROFF TRACHTE

